

JAY•LOR[®]

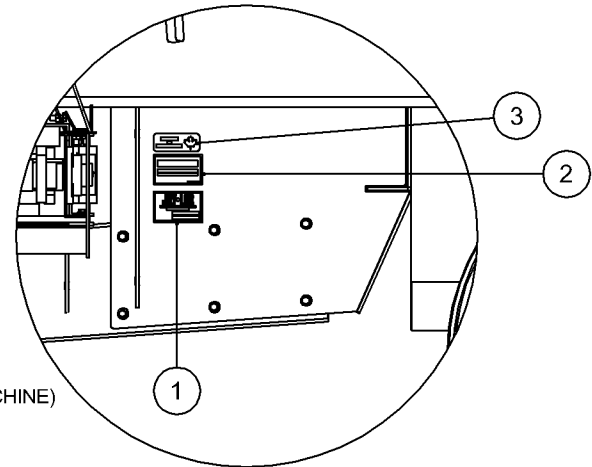
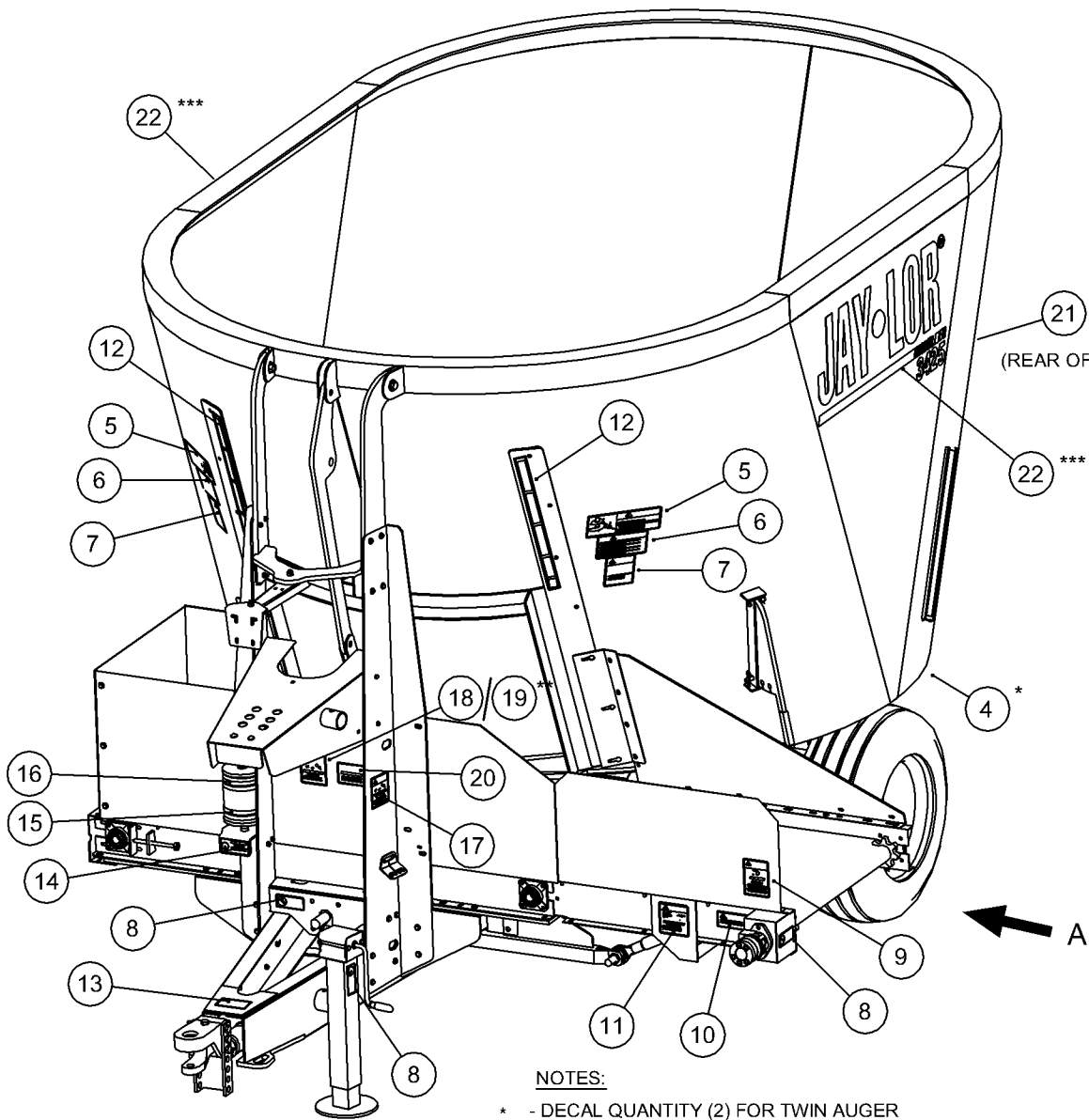
Cutter • Mixer • Feeder

12 – DECALS

“Putting the ‘Total’ into TMR”

JAY-LOR[®] Fabricating Inc.
RR # 2 Orton, Ontario, Canada, L0N 1N0 Tel: (519) 787-8058 Fax: (519) 787-7053

To Print this Section, Click Here



VIEW A

22	DECAL - MODEL 31000	2	120-02-08
22	DECAL - MODEL 3875	2	120-02-07
22	DECAL - MODEL 3750	2	120-02-06
22	DECAL - MODEL 3650	2	120-02-05
22	DECAL - MODEL 3575	2	120-02-04
22	DECAL - MODEL 3425	2	120-02-03
22	DECAL - MODEL 3350	2	120-02-02

21	DECAL - SLOW MOVING VEHICLE	1	120-00-15
20	DECAL - DANGER, ROTATING DRIVE...	1	120-01-17
**	19 DECAL - WARNING, ROTATING DRIVE...	2	120-01-19
**	18 DECAL - WARNING, ROTATING DRIVE...	2	120-01-18
17	DECAL - USE PROPER SHEAR BOLTS...	1	120-01-31
16	DECAL - MAXIMUM OIL LEVEL	1	120-01-30
15	DECAL - MINIMUM OIL LEVEL	1	120-01-29
14	DECAL - USE ONLY ESSO OR MOBIL...	1	120-01-28
13	DECAL - NOT FOR HIGHWAY TRAVEL...	1	120-01-23
12	DECAL - DOOR HEIGHT MARKER	2	120-01-38
11	DECAL - WARNING - HIGH PRESSURE...	1	120-01-21
10	DECAL - SECURE CONVEYOR...	1	120-01-22
9	DECAL - WARNING, ROTATING...	2	120-01-20
8	DECAL - GREASE	3	120-01-32
7	DECAL - WARNING, PINCH POINT...	2	120-01-15
6	DECAL - DANGER, TO PREVENT...	2	120-01-12
5	DECAL - WARNING, ROTATING AUGER	2	120-01-13
*	4 DECAL - GREASE 1 PUMP EVERY 8...	1*	120-01-26
3	DECAL - MADE IN CANADA	1	120-00-22
2	DECAL - PATENTED...	1	120-00-31
1	SERIAL NUMBER PLATE	1	120-00-05

NO.	PART DESC.	QTY	PART NO.
-----	------------	-----	----------

PARTS LIST

MODEL:	ALL APPLICABLE	
DATE:	AUG. 1/03	SHEET 1 of 1
PART/ASSEMBLY NO:	120-02-10	

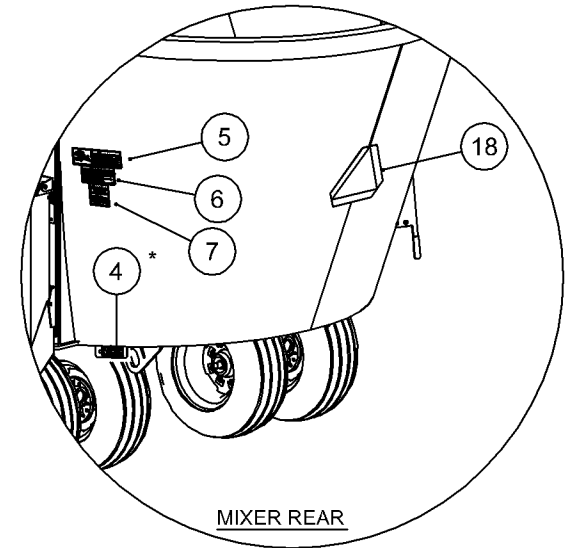
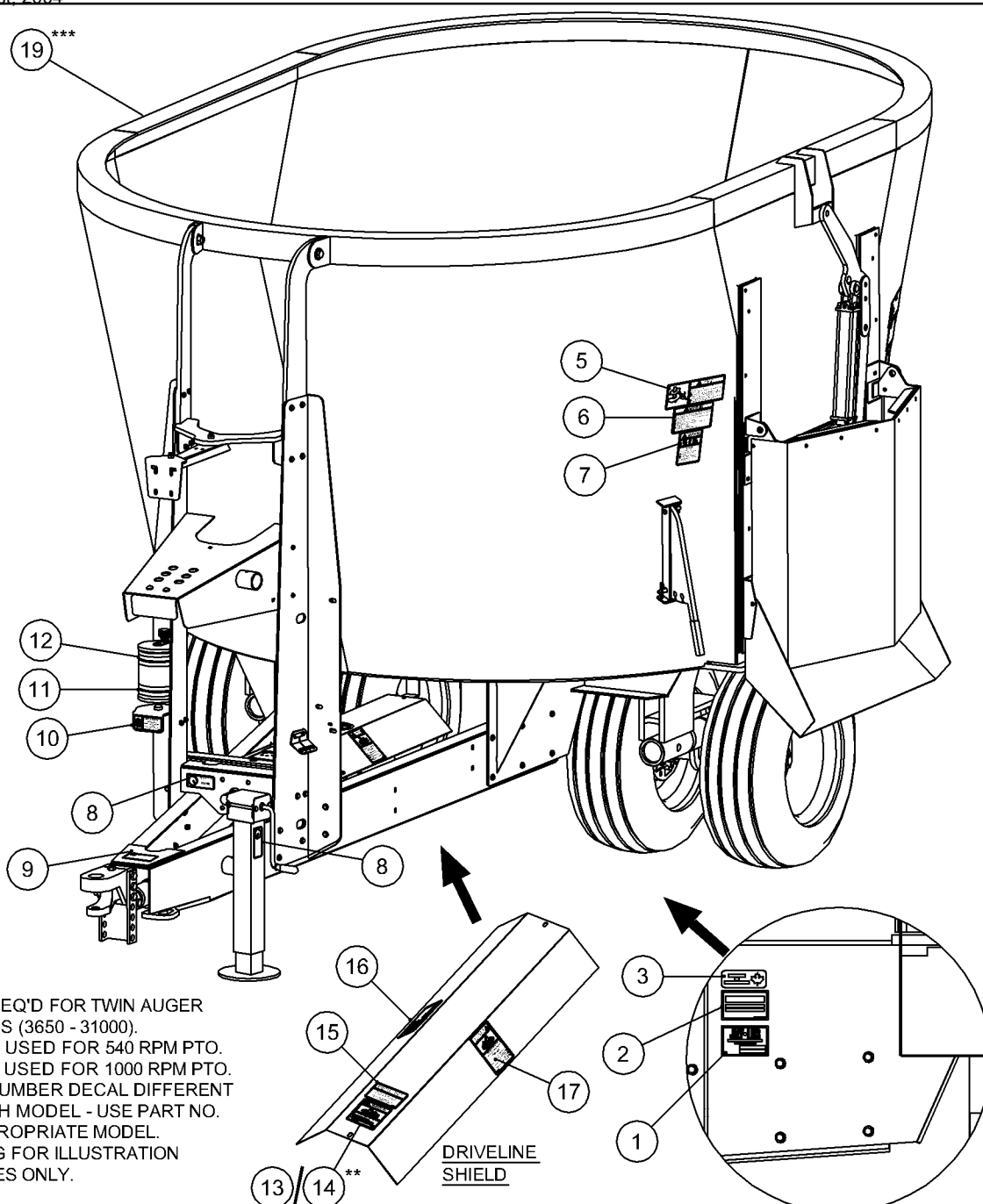


① - DENOTES INDIVIDUAL PART
 □ - DENOTES ASSEMBLY/SUB-ASSEMBLY

NOTES:

- * - DECAL QUANTITY (2) FOR TWIN AUGER MACHINES (3650, 3750, 3875 & 31000).
- ** - DECAL 120-01-18 USED FOR 540 RPM PTO. DECAL 120-01-19 USED FOR 1000 RPM PTO.
- *** - MODEL NUMBER DECAL DIFFERENT FOR EACH MODEL - USE PART NO. FOR APPROPRIATE MODEL.
- DRAWING FOR ILLUSTRATION PURPOSES ONLY.

TITLE: COMPLETE DECAL PACKAGE FOR 3000 SERIES FRONT DOOR DISCHARGE



NOTES:
 * - QTY (2) REQ'D FOR TWIN AUGER MACHINES (3650 - 31000).
 ** - 120-01-18 USED FOR 540 RPM PTO. 120-01-19 USED FOR 1000 RPM PTO.
 *** - MODEL NUMBER DECAL DIFFERENT FOR EACH MODEL - USE PART NO. FOR APPROPRIATE MODEL.
 - DRAWING FOR ILLUSTRATION PURPOSES ONLY.

19	DECAL - MODEL 31000	1	120-02-08
19	DECAL - MODEL 3875	1	120-02-07
19	DECAL - MODEL 3750	1	120-02-06
19	DECAL - MODEL 3650	1	120-02-05
19	DECAL - MODEL 3575	1	120-02-04
19	DECAL - MODEL 3425	1	120-02-03
19	DECAL - MODEL 3350	1	120-02-02
19	DECAL - MODEL 3300	1	120-02-01

18	DECAL - SLOW MOVING VEHICLE	1	120-00-15
17	DECAL - DANGER, ROTATING DRIVE...	1	120-01-17
16	DECAL - CAUTION, MAINTENANCE...	1	120-01-25
15	DECAL - USE PROPER SHEAR BOLTS...	1	120-01-31
** 14	DECAL - WARNING, ROTATING DRIVE...	1	120-00-19
** 13	DECAL - WARNING, ROTATING DRIVE...	1	120-01-18
12	DECAL - MAXIMUM OIL LEVEL	1	120-01-30
11	DECAL - MINIMUM OIL LEVEL	1	120-01-29
10	DECAL - USE ONLY ESSO OR MOBIL...	1	120-01-28
9	DECAL - NOT FOR HIGHWAY TRAVEL...	1	120-01-23
8	DECAL - GREASE	2	120-01-32
7	DECAL - WARNING, PINCH POINT...	2	120-01-15
6	DECAL - DANGER, TO PREVENT...	2	120-01-12
5	DECAL - WARNING, ROTATING AUGER	2	120-01-13
* 4	DECAL - GREASE 1 PUMP EVERY 8...	1	120-01-26
3	DECAL - MADE IN CANADA	1	120-00-22
2	DECAL - PATENTED	1	120-00-31
1	SERIAL NUMBER PLATE	1	120-00-05

NO.	PART DESC.	QTY	PART NO.
-----	------------	-----	----------

PARTS LIST

MODEL:	ALL APPLICABLE	
DATE:	AUG 1/03	SHEET 1 of 1
PART/ASSEMBLY NO:	120-02-11	



TITLE: COMPLETE DECAL PACKAGE FOR 3000 SERIES CENTER-SIDE DOOR DISCHARGE